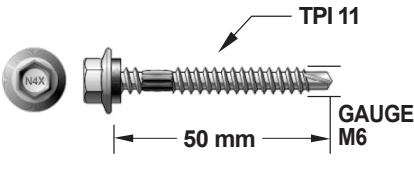





SDHM61150C4N

SELF DRILLING HEX M6-11X50MM ROOFING SCREW - CLASS 4

COATED AND
PAINTED IN
AUSTRALIA

	COATING	DRILL RANGE
	CLASS 4 TO AS3566 2002	 Drill Range 0.55-1.9mm
SELF DRILLING For fixing to Timber and Metal up to 1.9mm Hex Socket 5/16"	BOX QTY	
PART NO SDHM61150C4N	1000	
 	QUICK ORDER CODE F304	

Steel and Timber Base Material

APPLICATION

Suitable for use in:

- Crest fixing roof sheets to either light gauge steel top hats or timber battens.
- Can also be used in steel purlins up to 1.9mm in thickness
- Class 4 Fasteners are suitable in Category 3 and 4 environments as described in ISO 9223-2012.
- Class 5 available on request.

FEATURES AND BENEFITS

- 5/16 hex drive - easy to drive in the screw, and the most common head size used for Roofing and Cladding applications
- Zip fast drill point - allows for the screws to be driven effectively into light-gauge steel materials up to 1.9mm and timber battens, whilst maintaining a high pull-out resistance
- Coated and painted in Australia to meet AS3566 requirements.
- All Colorbond colours available.
- Water tight seal - screws are sealed with a genuine DEKS® washer

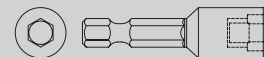
INSTALLATION INSTRUCTIONS

- Use a 5/16 Hex Socket Bit
- Use a mains or cordless screw driver with a speed of up to 2,500rpm *(These are guides - installer tooling and base materials should be assessed)*
- Fit the socket bit around the screw head and place the screws in the fastening position
- Apply consistent firm pressure on the screw driver until the screw has fastened. **DO NOT OVERTIGHTEN.**

*Appropriate screw gun / drill with torque control and depth gauge adjustment should be used.

ADAPTER TO USE

Hex Socket 5/16"



FASTENER PROPERTIES

Material	Carbon Steel 1022	Torsion	15.81Nm
Heat Treatment	To AS3566	Mechanical Properties	Single Shear 9.67kN
Coating	Class 4 Galvanised		